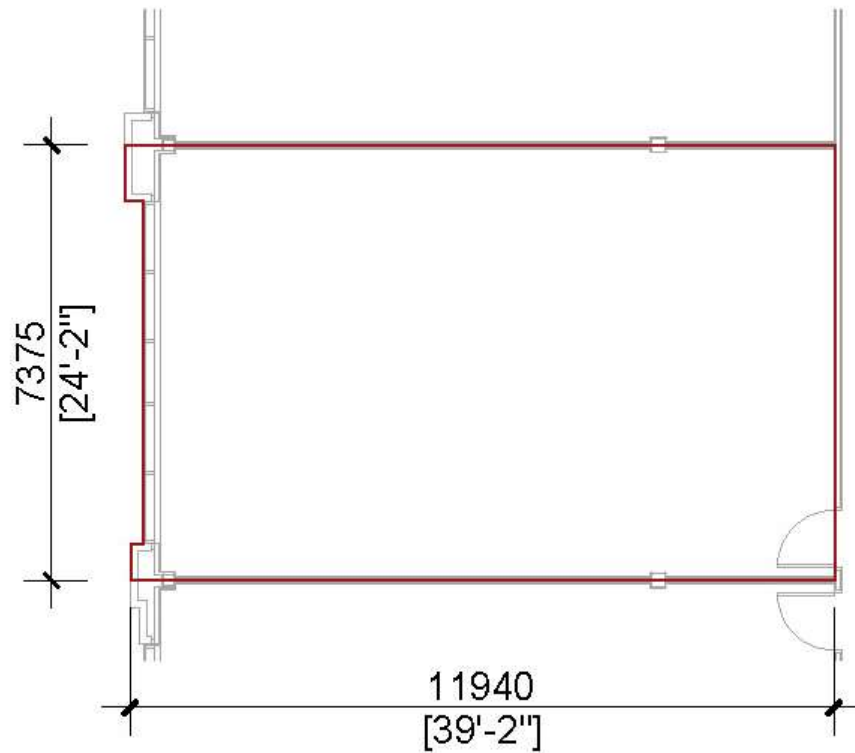


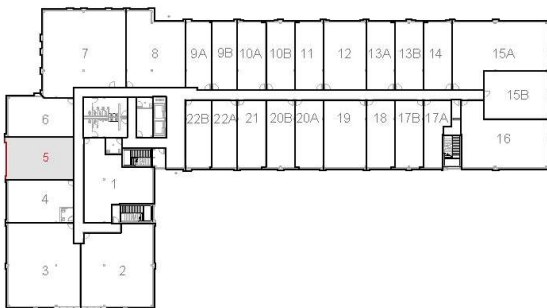


## Level 2 - Unit 5



Building 'A'

1,225 Sq.Ft.



Concept Floor Plan is provided for general purposes only.  
The interior improvements are not provided, warranted or guaranteed by the Vendor.  
All details should be confirmed. E. & O.E.